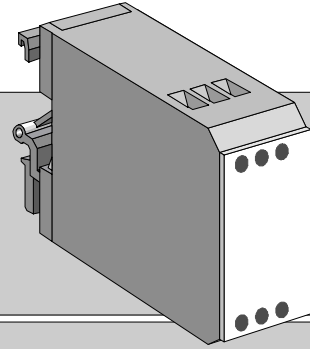


ARF3-380 ADAPTER FOR RF3-220 LINE SUPERVISION RELAY



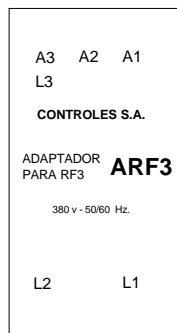
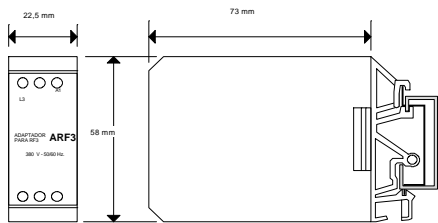
CHARACTERISTICS

INPUT FROM MAINS:

L1, L2, L3: 380 Vac 50/60 Hz

OUTPUT TO RF3-220:

A1, A2, A3



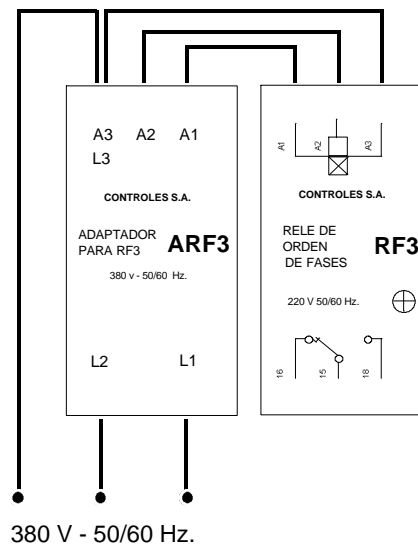
OPERATION

The ARF3-380 adapter enables the RF3-220 relay to monitor the three power input lines to a system working at 380 Vac nominal, to detect the three following risk conditions:

- phase inversion
- phase loss
- low voltage (approx. 290 Vac)

See RF3-220 documentation.

WIRING DIAGRAM



CONTROLES S.A.
Av. Rivera 3314
11300 Montevideo
Uruguay

Tel.: +598 2 622 0651
Fax: +598 2 622 2048
info@controles.com
www.controles.com

MADE IN URUGUAY